

Zen 6636 SD Gold Air 66" x 36" x 23"

SKU: ZEN6636SD-GAIR



| TECHNICAL SPECIFICATIONS | |
|----------------------------|--------------------------------------|
| Drain | Side drain |
| Pump Location(s): Select 1 | Std. = Standard / Alt LF/RF Optional |
| Bath Weight (empty) | 165 lbs |
| Gallons to Operate | 53-78 |
| ELECTRICAL SPECIFICATIONS | |
| Motor/Pump | (1) 115v 20AMP GFCI Circuits |

| BATHERS: 2 | |
|--------------|------------------|
| INSTALLATION | |
| • | DECK (D) |
| • | UNDER MOUNT (U) |
| • | ALCOVE (A) |
| | FREESTANDING (F) |
| | CLAWFOOT (L) |
| | PEDESTAL (P) |

GOLD AIR

Jet & Control placement may vary



STANDARD FEATURES & ACCESSORIES for GOLD AIR

JETS

18 EZ Clean™ Air Jets on Sidewall X

PUMPS

1.25 Air Power Variable Speed, Pulse & Wave heated Air Pump
Quiet Pad Anti-Vibration Mounted Pump

HEATERS

Warm Back Rest Tubing Zone

CONTROLS

Air Switch On/Off Control(s) for mood lighting
Variable Speed Air Massage Control
Automatic Purge & Dry Cycle Control

PURITY

HydroCleanse

STANDARD ACCESSORIES

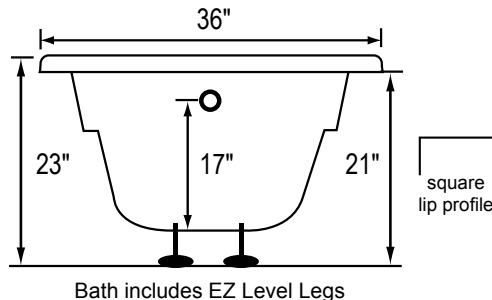
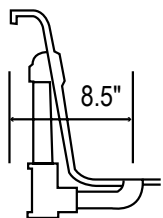
Mood Light
Lift & Turn Drain - White, Biscuit, Bone, Brushed Nickel, Oil Rubbed Bronze, Polished Chrome
Deluxe Cushion Pillow
EZ Level Adjustable Legs
FDA Recipe Non-Toxic Food & Beverage Grade Plumbing (primarily)
30 Point Quality Assurance Factory Test

REQUIREMENTS

Pump Locations: Select 1
Electrical: one 115v 20AMP GFCI Circuits
Drain: Select Color / Finish
Tub should not be supported by the lip in any way.
Level tub & screw or glue EZ Level adjustable legs to sub floor.
CUT OUT DIMENSIONS:

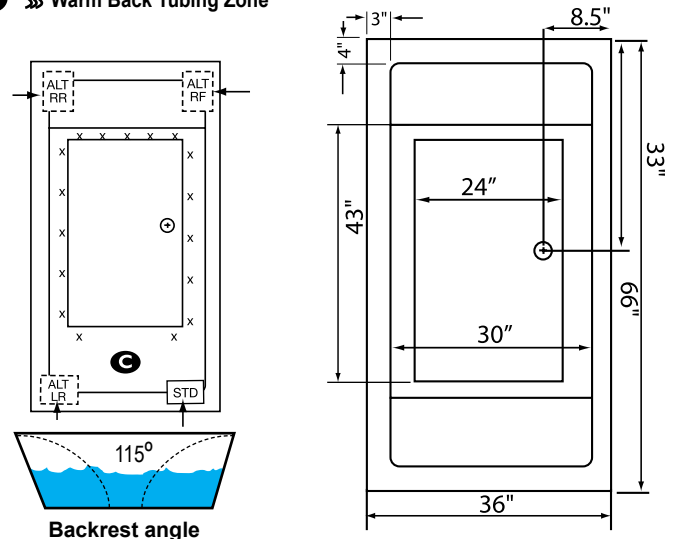
OVALS: A template will be provided
RECTANGLES: Subtract 1" to 1.5" from length & width for hole cut out size

EZ CLEAN CAST ACRYLIC LIMITED LIFETIME WARRANTY **TEXTURED FLOOR**



INSTALLATION WILL NOT REQUIRE MORTAR BEDDING

- A** X HTT® Leg Therapy Air Massage System includes 10 Air Jets on the floor. Optional on Combo Plat and Combo Gold Series
- B** X 6 Jet HTT® Back Massage System: N/A on Combo Series-Standard on Plat series
- C** Warm Back Tubing Zone



Some standard & most alternate pump locations may stickout past perimeter of the bath 1"-3". NOTE: Graphics may not be to scale. Specifications and features are subject to change without notice and are ± .25". All final measurements should be taken from tub on site. Access 18"x 18" or larger is required for each pump. Consult your contractor for installation requirements.