

Zen 642 SD SOAKER 72" x 42" x 23"

SKU: ZEN642SD-SOAK



TECHNICAL SPECIFICATIONS	
Drain	Side drain
Pump Location(s): Select 1	Std. = Standard / Alt LF/RF Optional
Bath Weight (empty)	190 lbs
Gallons to Operate	78-103
ELECTRICAL SPECIFICATIONS	
Motor/Pump	(1) 115v 20AMP GFCI Circuits
Inline Stainless Steel Heater	N/A

BATHERS: 2	
INSTALLATION	
•	DECK (D)
•	UNDER MOUNT (U)
•	ALCOVE (A)
	FREESTANDING (F)
	CLAWFOOT (L)
	PEDESTAL (P)

Soaker



STANDARD FEATURES & ACCESSORIES for Soaker BATHS _____

PUMPS

WhisperFlo Heat Pump
Quiet Pad Anti-Vibration Mounted Pump

CONTROLS

Air Switch On/Off Control(s) for Hydro Pump

PURITY

HydroCleanse

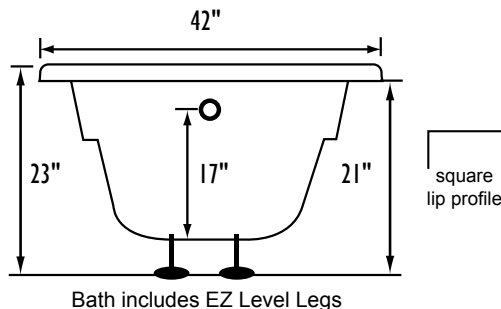
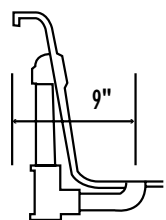
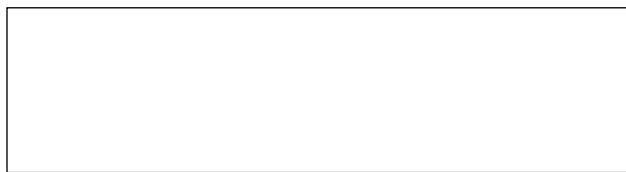
STANDARD ACCESSORIES

EZ Clean Cast Acrylic
FDA Recipe Non-Toxic Food & Beverage Grade Plumbing (primarily)
30 Point Quality Assurance Factory Test
EZ level Adjustable Legs

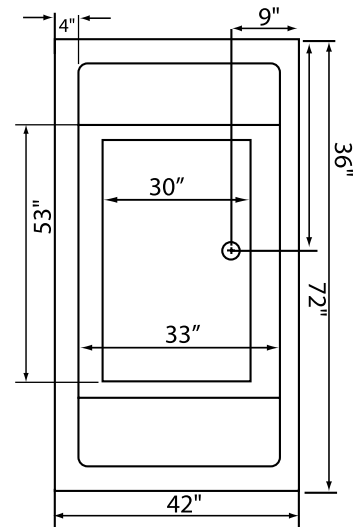
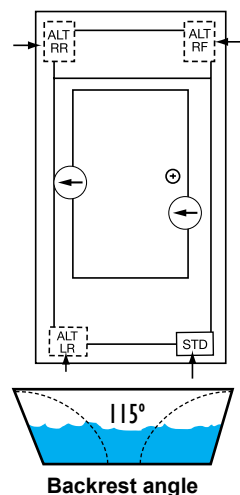
REQUIREMENTS

Pump Locations: Select 1
Electrical: one 115v 20AMP GFCI Circuits
Tube should not be supported by the lip in any way.
Level tub & screw or glue EZ Level adjustable legs to sub floor.
CUT OUT DIMENSIONS:
OVALS: A template will be provided
RECTANGLES: Subtract 1" to 1.5" from length & width for hole cut out size

EZ CLEAN CAST ACRYLIC
LIMITED LIFETIME WARRANTY **us ANSI**



INSTALLATION WILL NOT REQUIRE MORTAR BEDDING



NOTE: Graphics may not be to scale. Specifications and features are subject to change without notice and are $\pm .25"$. All final measurements should be taken from **tub on site**. Access 18"x 18" or larger is required for each pump. Some pump locations and plumbing may extend beyond the perimeter of the bath.