

# Zen 642 SD Platinum Water Jet

72" x 42" x 23"

SKU: ZEN642SD-PWJ



## Platinum Water Jet

SPECIFICATIONS	
Drain	Side drain
Pump Location(s): Select 2	Std. = Standard / Alt LF/RF Optional
Bath Weight (empty)	190 lbs
Gallons to Operate	78-103
ELECTRICAL SPECIFICATIONS	
Motor/Pump	(2) 115v 20AMP GFCI Circuits
Inline Stainless Steel Heater	(1) 115v 20AMP GFCI Circuit

BATHERS: 2	
INSTALLATION	
•	DECK (D)
•	UNDER MOUNT (U)
•	ALCOVE (A)
	FREESTANDING (F)
	CLAWFOOT (L)
	PEDESTAL (P)

Jet & Control placement may vary



### STANDARD FEATURES & ACCESSORIES for Platinum Water Jet BATHS \_\_\_\_\_

#### JETS

- 20 Water Jets
- Back Massage System(s) (7 Jets)
- Neck Massage Pillow (2 Jets)
- Sole Soother Jet(s)
- Accumassage Back, Neck
- Ultra Flow Jets

#### PUMPS

- Two 3.25 Hydropower 3-speed Pumps (Side Drain Baths)
- Quiet Pad Anti-Vibration Mounted Pump

#### HEATERS

- Stainless Steel Electric Heater

#### CONTROLS

- Air Switch On/Off Control(s) For Chromatherapy Lighting
- Air Switch On/Off with digital Temperature Readout Control
- 3 Speed Massage: High, Medium or Low

#### PURITY

- HydroClean Water Purity System
- HydroCleanse

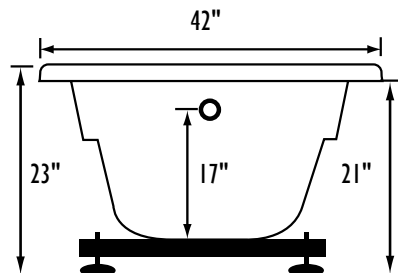
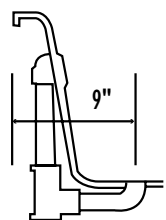
#### STANDARD ACCESSORIES

- Grab Bar(s) - 1 on Side Drain baths  
White, Biscuit, Bone, Brushed Nickel, Polished Chrome
- Chromatherapy Lighting
- Deluxe Cable Drain - White, Biscuit, Bone, Brushed Nickel,  
Oil Rubbed Bronze, Polished Chrome
- Deluxe Cushion Pillow on two person baths
- Neck Massage Pillow
- EZ Level Base
- FDA Recipe Non-Toxic Food & Beverage Grade Plumbing (primarily)
- 30 Point Quality Assurance Factory Test

#### REQUIREMENTS

- Pump Locations: Select 2
- Electrical: three 115v 20AMP GFCI Circuits
- Drain and Grab Bars: Select Color / Finish
- Tub should not be supported by the lip in any way.**
- Level tub & screw or glue EZ Level adjustable legs to sub floor.**
- CUT OUT DIMENSIONS:**
  - OVALS:** A template will be provided
  - RECTANGLES:** Subtract 1" to 1.5" from length & width for hole cut out size

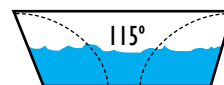
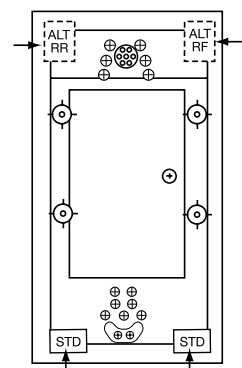
**EZ CLEAN CAST ACRYLIC LIMITED LIFETIME WARRANTY**



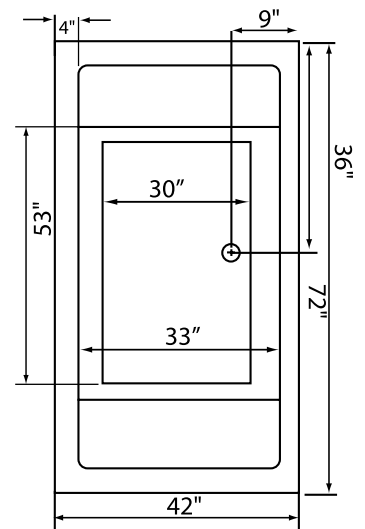
square lip profile

Bath includes EZ Level Base

**INSTALLATION WILL NOT REQUIRE MORTAR BEDDING**



Backrest angle



**NOTE:** Graphics may not be to scale. Specifications and features are subject to change without notice and are  $\pm .25"$ . All final measurements should be taken from **tub on site**. Access 18"x 18" or larger is required for each pump. Some pump locations and plumbing may extend beyond the perimeter of the bath.