

# Zen Gold Water Jet 72" x 42" x 23"

SKU: ZEN642-GWJ



## Gold Water Jet

TECHNICAL SPECIFICATIONS	
Drain	End drain
Pump Location(s): Select 1	Std. = Standard / Alt LF/RF Optional
Bath Weight (empty)	190 lbs
Gallons to Operate	83-108
ELECTRICAL SPECIFICATIONS	
Motor/Pump	(1) 115v 20AMP GFCI Circuits
Inline Stainless Steel Heater	(1) 115v 20AMP GFCI Circuit

BATHERS: 1	
INSTALLATION	
•	DECK (D)
•	UNDER MOUNT (U)
•	ALCOVE (A)
	FREESTANDING (F)
	CLAWFOOT (L)
	PEDESTAL (P)

Jet & Control placement may vary



### STANDARD FEATURES & ACCESSORIES for Gold Water Jet

#### JETS

- 12 Water Massage Jets
- Back Massage System(s) (6 Jets)
- Accumassage Back and Neck Jets ⊕
- 6 Ultra Flow Jets ⊖

#### PUMPS

- 3.25 Hydropower 3-speed Pump
- Quiet Pad Anti-Vibration Mounted Pump

#### HEATERS

- Stainless Steel Electric Heater

#### CONTROLS

- Air Switch On/Off Control(s) For Hydro Pump & Mood Light
- 3 Speed Massage: High, Medium or Low

#### PURITY

- HydroClean Water Purity System
- HydroCleanse

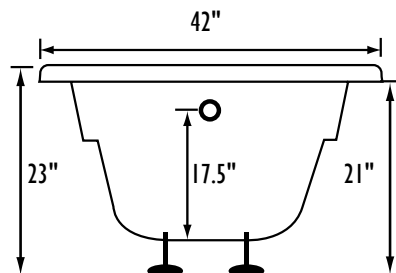
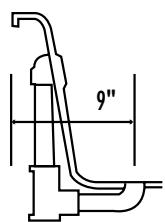
### STANDARD ACCESSORIES

- Mood Light
- Lift & Turn Drain - White, Biscuit, Bone, Brushed Nickel, Oil Rubbed Bronze, Polished Chrome
- Deluxe Cushion Pillow
- EZ Level Adjustable Legs
- FDA Recipe Non-Toxic Food & Beverage Grade Plumbing (primarily)
- 30 Point Quality Assurance Factory Test

### REQUIREMENTS

- Pump Locations: Select 1
- Electrical: two 115v 20AMP GFCI Circuits
- Drain: Select Color / Finish
- Tube should not be supported by the lip in any way.**
- Level tub & screw or glue EZ Level adjustable legs to sub floor.**
- CUT OUT DIMENSIONS:**
  - OVALS:** A template will be provided
  - RECTANGLES:** Subtract 1" to 1.5" from length & width for hole cut out size

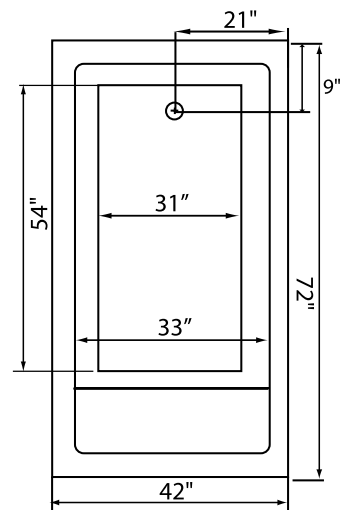
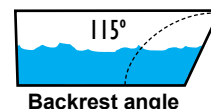
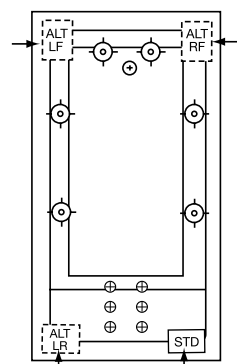
**EZ CLEAN CAST ACRYLIC LIMITED LIFETIME WARRANTY**



square lip profile

Bath include EZ Level Legs

**INSTALLATION WILL NOT REQUIRE MORTAR BEDDING**



**NOTE:** Graphics may not be to scale. Specifications and features are subject to change without notice and are ± .25". All final measurements should be taken from **tub on site**. Access 18"x 18" or larger is required for each pump. Some pump locations and plumbing may extend beyond the perimeter of the bath.