

# Zen 530 SKTF Soaker 60" x 30" x 23"

SKU: ZEN530SKTF-SOAKER



Soaker

TECHNICAL SPECIFICATIONS	
Drain	End drain
Pump Location(s): Select 1	Std. = Standard / Alt LF/RF Optional
Bath Weight (empty)	160 lbs
Gallons to Operate	38-56
ELECTRICAL SPECIFICATIONS	
Motor/Pump	N/A
Inline Stainless Steel Heater	N/A

BATHERS: 1	
INSTALLATION	
	DECK (D)
	UNDER MOUNT (U)
•	ALCOVE (A)
	FREESTANDING (F)
	CLAWFOOT (L)
	PEDESTAL (P)



Integral Skirt w magnetic access panel

## STANDARD FEATURES & ACCESSORIES for SOAKER

### STANDARD ACCESSORIES

- Adjustable Leveling Legs
- Integral Skirt with Magnetic Access Panel

### REQUIREMENTS

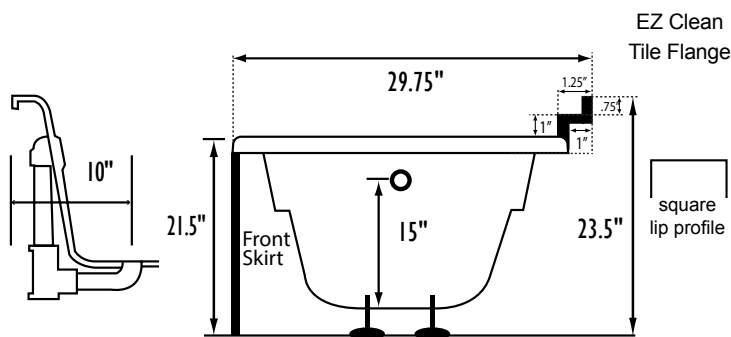
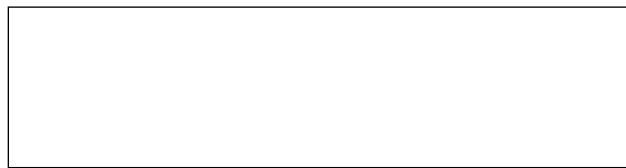
Tub should not be supported by the lip in any way. Level tub & screw or glue adjustable legs to sub floor.

#### CUT OUT DIMENSIONS:

**OVALS:** A template will be provided

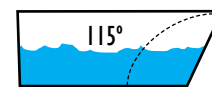
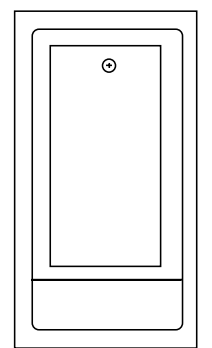
**RECTANGLES:** Subtract 1" to 1.5" from length & width for hole cut out size

**EZ CLEAN CAST ACRYLIC  
LIMITED LIFETIME WARRANTY**

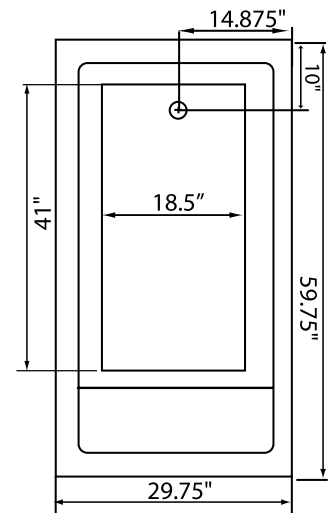


Bath includes EZ Level Legs

**INSTALLATION WILL NOT REQUIRE MORTAR BEDDING**



Backrest angle



**NOTE:** Graphics may not be to scale. Specifications and features are subject to change without notice and are  $\pm .25"$ . All final measurements should be taken from **tub on site**. Access 18"x 18" or larger is required for each pump. Some pump locations and plumbing may extend beyond the perimeter of the bath.