

# Serenity 7 GOLD WATER JET 87" x 36" x 21"

PRODUCT NUMBER: SERENITY7-GWJ



## GOLD WATER JET

TECHNICAL SPECIFICATIONS	
Drain	End drain
Pump Location(s): Select 1	Std. = Standard / Alt LF/RF Optional
Bath Weight (empty)	180 lbs
Gallons to Operate	58-76
ELECTRICAL SPECIFICATIONS	
Motor/Pump	(1) 115v 20AMP GFCI Circuits
Inline Stainless Steel Heater	(1) 115v 20AMP GFCI Circuit

BATHERS: 1	
INSTALLATION	
•	DECK (D)
	UNDER MOUNT (U)
•	ALCOVE (A)
	FREESTANDING (F)
	CLAWFOOT (L)
	PEDESTAL (P)

Jet & Control placement may vary



### STANDARD FEATURES & ACCESSORIES for GOLD WATER JET

#### JETS

12 Water Massage Jets  
 Back Massage System(s) (6 Jets)  
 Accumassage Back and Neck Jets ⊕  
 6 Ultra Flow Jets ⊖

#### PUMPS

3.25 Hydropower 3-speed Pump  
 Quiet Pad Anti-Vibration Mounted Pump

#### HEATERS

Stainless Steel Electric Heater

#### CONTROLS

Air Switch On/Off Control(s) For Hydro Pump & Mood Light  
 3 Speed Massage: High, Medium or Low

#### PURITY

HydroClean Water Purity System  
 HydroCleanse

### STANDARD ACCESSORIES

Mood Light  
 Lift & Turn Drain - White, Biscuit, Bone, Brushed Nickel,  
 Oil Rubbed Bronze, Polished Chrome  
 Deluxe Cushion Pillow  
 EZ Level Adjustable Legs  
 FDA Recipe Non-Toxic Food & Beverage Grade Plumbing (primarily)  
 30 Point Quality Assurance Factory Test

### COLOR

Only Available in White

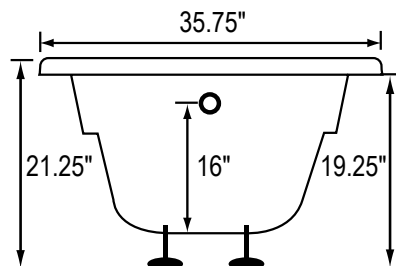
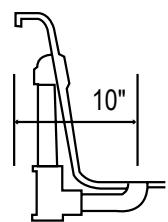
### REQUIREMENTS

Pump Locations: Select 1  
 Electrical: two 115v 20AMP GFCI Circuits  
 Drain: Select Color / Finish  
**Tube should not be supported by the lip in any way.**  
**Level tub & screw or glue EZ Level adjustable legs to sub floor.**

### CUT OUT DIMENSIONS:

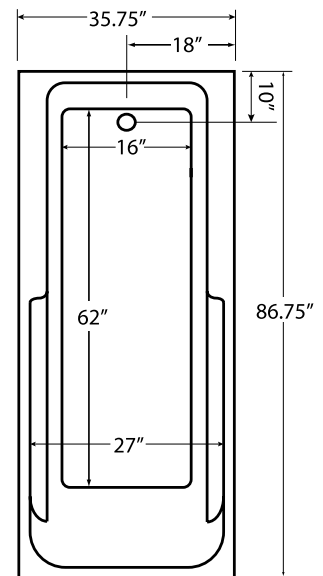
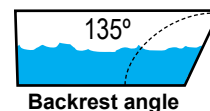
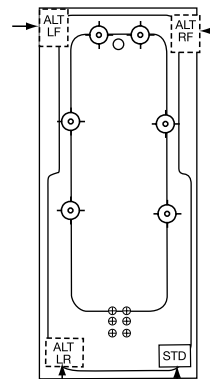
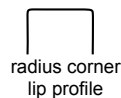
**OVALS:** A template will be provided  
**RECTANGLES:** Subtract 1" to 1.5" from length & width for hole cut out size

**EZ CLEAN CAST ACRYLIC LIMITED LIFETIME WARRANTY** 



Bath include EZ Level Legs

**INSTALLATION WILL NOT REQUIRE MORTAR BEDDING**



Some standard & most alternate pump locations may stickout past perimeter of the bath 1"-3". NOTE: Graphics may not be to scale. Specifications and features are subject to change without notice and are ± .25". All final measurements should be taken from tub on site. Access 18"x 18" or larger is required for each pump. Consult your contractor for installation requirements.