

# Serenity 5 Air Silver 60" x 36" x 22"

SKU: SERENITY-5-SAIR



SILVER AIR

TECHNICAL SPECIFICATIONS	
Drain	End drain
Pump Location(s): Select 1	Std. = Standard / Alt LF/RF Optional
Bath Weight (empty)	135 lbs
Gallons to Operate	42-60
ELECTRICAL SPECIFICATIONS	
Motor/Pump	(1) 115v 20AMP GFCI Circuits

BATHERS: 1	
INSTALLATION	
•	DECK (D)
	UNDER MOUNT (U)
•	ALCOVE (A)
	FREESTANDING (F)
	CLAWFOOT (L)
	PEDESTAL (P)

Jet & Control placement may vary



## STANDARD FEATURES & ACCESSORIES for SILVER AIR

### JETS

12 Classic Air Jets Sidewall ○

### PUMPS

1.0 Air Power 3-Speed Warm Air Pump  
Quiet Pad Anti-Vibration Mounted Pump

### CONTROLS

Air Switch On/Off Control(s)  
Automatic Purge & Dry Cycle Control

### PURITY

HydroCleanse

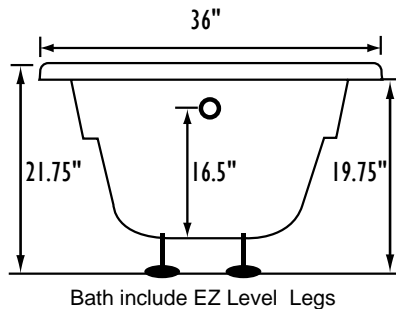
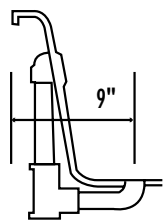
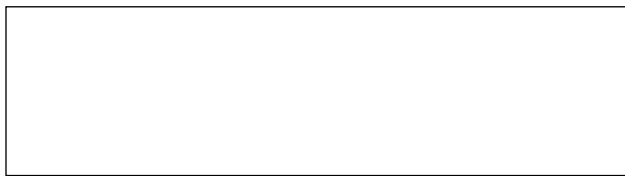
### STANDARD ACCESSORIES

EZ Level Adjustable Legs  
FDA Recipe Non-Toxic Food & Beverage Grade Plumbing (primarily)  
30 Point Quality Assurance Factory Test

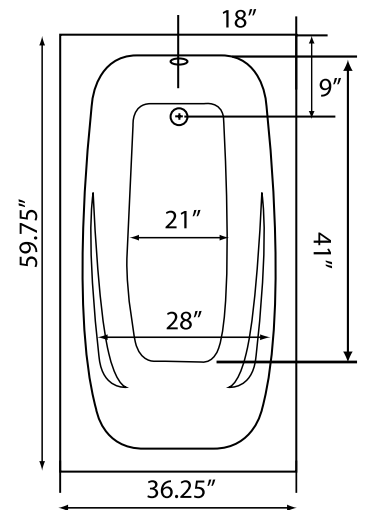
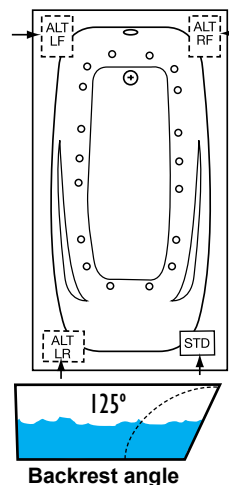
### REQUIREMENTS

Pump Locations: Select 1  
Electrical: one 115v 20AMP GFCI Circuit  
**Tub should not be supported by the lip in any way.**  
**Level tub & screw or glue EZ Level adjustable legs to sub floor.**  
**CUT OUT DIMENSIONS:**  
**OVALS:** A template will be provided  
**RECTANGLES:** Subtract 1" to 1.5" from length & width for hole cut out size

**EZ CLEAN CAST ACRYLIC LIMITED LIFETIME WARRANTY** c UL US ANSI



radius corner lip profile



**INSTALLATION WILL NOT REQUIRE MORTAR BEDDING**

**Backrest angle**

**NOTE:** Graphics may not be to scale. Specifications and features are subject to change without notice and are  $\pm .25"$ . All final measurements should be taken from **tub on site**. Access 18"x 18" or larger is required for each pump. Some pump locations and plumbing may extend beyond the perimeter of the bath.