

Rosabella Soaker 72" x 42" x 27.5" PRODUCT

NUMBER: ROSABELLA-SOAKER-K



TECHNICAL SPECIFICATIONS	
Drain	Side drain - Required - specify finish
Pump Location(s)	N/A
Bath Weight (empty)	225 lbs
Gallons to Operate	77-112
ELECTRICAL SPECIFICATIONS	
Motor/Pump	N/A
Inline Stainless Steel Heater	N/A

BATHERS: 2	
INSTALLATION	
	DECK (D)
	UNDER MOUNT (U)
	ALCOVE (A)
•	FREESTANDING (F)
	CLAWFOOT (L)
	PEDESTAL (P)

SOAKER



Space available for deck mounted or floor mounted faucet

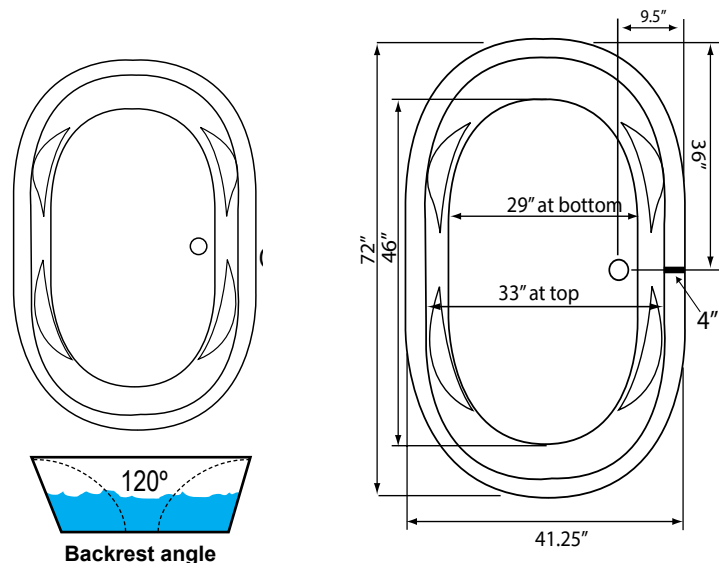
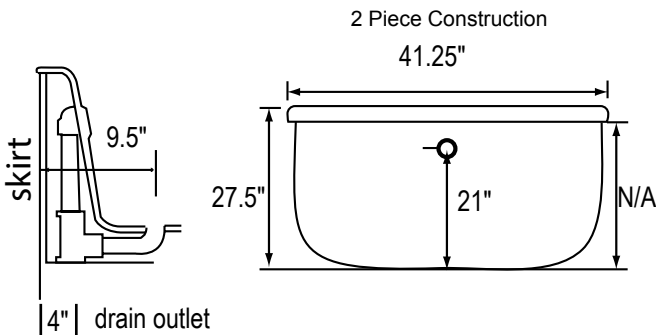
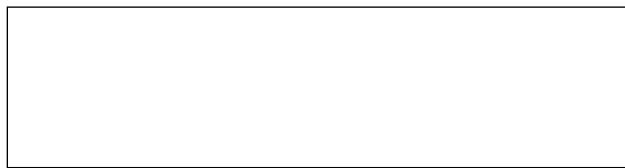
EZ CLEAN CAST ACRYLIC LIMITED LIFETIME WARRANTY 

DRAIN REQUIRED

with integral overflow and Flush Press -
Select finish: Brushed Nickel, Oil Rubbed Bronze, Polished Chrome (not included)

FAUCET

Either Deck Mount or Floor Mount (not included)



Some standard & most alternate pump locations may stickout past perimeter of the bath 1"-3". NOTE: Graphics may not be to scale. Specifications and features are subject to change without notice and are ± .25". All final measurements should be taken from tub on site. Access 18"x 18" or larger is required for each pump. Consult your contractor for installation requirements.