

Rosabella Platinum Combination 72" x 42" x 27.5"

PLATINUM COMBINATION

PRODUCT NUMBER: ROSABELLA-PCB-K



TECHNICAL SPECIFICATIONS	
Drain	Side drain - Required - specify finish
Pump Location(s)	Standard
Bath Weight (empty)	225 lbs
Gallons to Operate	77-112
ELECTRICAL SPECIFICATIONS	
Motor/Pump	(3) 115v 20AMP GFCI Circuits
Inline Stainless Steel Heater	(1) 115v 20AMP GFCI Circuit

BATHERS: 2	
INSTALLATION	
	DECK (D)
	UNDER MOUNT (U)
	ALCOVE (A)
•	FREESTANDING (F)
	CLAWFOOT (L)
	PEDESTAL (P)

Jet & Control placement may vary

Space available for deck mounted or floor mounted faucet



JETS

- 43 Air & Water Massage Jets
- Back Massage System(s) (7 Jets)
- Neck Massage Pillow (2 Jets) (⊕ ⊕)
- Sole Soother Jet(s) (⊗)
- Accumassage Back & Neck Jets (⊕)
- Ultra Flow Jets (⊙)
- Classic Air Jets (○)
- EZ Clean Air Jets (optional) (X)

PUMPS

- Two-3.25 Hydropower 3-speed Pumps (Side Drain Tubs)
- Two 2.25 Hydropower 3-speed Pumps (End Drain Tubs)
- 1.25 Air Power Variable Speed, Pulse & Wave heated Air Pump
- Quiet Pad Anti-Vibration Mounted Pump

HEATERS

- Stainless Steel Heater
- Warm Back Rest Tubing Zone

CONTROLS

- Air Switch On/Off for Chromotherapy Lighting
- Air Switch On/Off with digital Temperature Readout Hydro Pumps
- Electronic Variable Speed Air Massage Control with Automatic Purge & Dry Cycle Control Air Pump
- 3 Speed Massage: High, Medium or Low

PURITY

- HydroClean Water Purity System
- HydroCleanse

STANDARD ACCESSORIES

- Chromotherapy Lighting
- Deluxe Cushion Pillow on 2 person baths
- Neck Massage Pillow
- FDA Recipe Non-Toxic Food & Beverage Grade Plumbing (primarily)
- 30 Point Quality Assurance Factory Test

REQUIREMENTS

Pump Location: **Standard**

- Electrical: Four 115v 20AMP GFCI Circuits
- Grab Bar: Select Color / Finish

EZ CLEAN CAST ACRYLIC LIMITED LIFETIME WARRANTY **us ANSI**

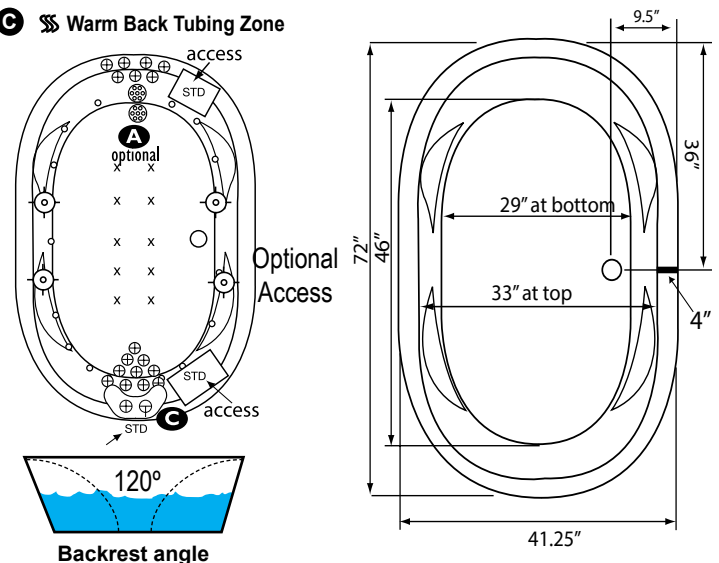
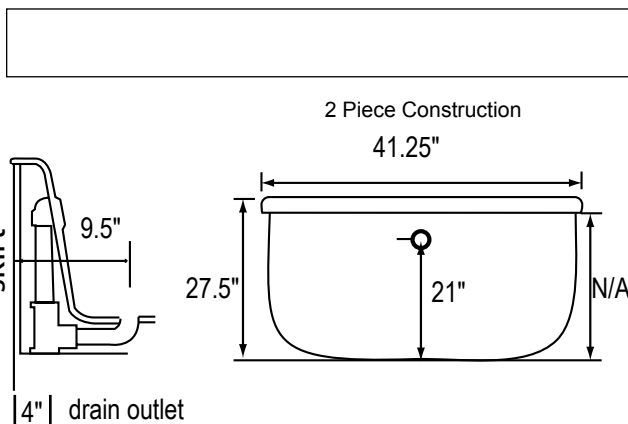
DRAIN REQUIRED

- with integral overflow and Flush Press -
- Select finish: Brushed Nickel, Oil Rubbed Bronze, Polished Chrome (not included)

FAUCET

Either Deck Mount or Floor Mount (not included)

- A** X **HTT® Leg Therapy Air Massage System** includes 10 Air Jets on the floor. Optional on Combo Plat and Combo Gold Series
- B** X **6 Jet HTT® Back Massage System:** N/A on Combo Series-Standard on Plat series
- C** **Warm Back Tubing Zone**



Some standard & most alternate pump locations may stickout past perimeter of the bath 1"-3". NOTE: Graphics may not be to scale. Specifications and features are subject to change without notice and are ± .25". All final measurements should be taken from tub on site. Access 18"x 18" or larger is required for each pump. Consult your contractor for installation requirements.