

# Rosabella Platinum Air 72" x 42" x 27.5"

PRODUCT NUMBER: ROSABELLA-PAIR-K



PLATINUM AIR

TECHNICAL SPECIFICATIONS	
Drain	Side drain - Required - specify finish
Pump Location(s): Select 1	Remote blower or access panel Model A
Bath Weight (empty)	225 lbs
Gallons to Operate	77-112
ELECTRICAL SPECIFICATIONS	
Motor/Pump	(1) 115v 20AMP GFCI Circuits

BATHERS: 2	
INSTALLATION	
	DECK (D)
	UNDER MOUNT (U)
	ALCOVE (A)
•	FREESTANDING (F)
	CLAWFOOT (L)
	PEDESTAL (P)

Jet & Control placement may vary

Space available for deck mounted or floor mounted faucet



## JETS

34 EZ Clean Air Jets  
 HTT Leg Therapy Air Massage Jets **X**  
 HTT Back Therapy Air Massage Jets **X**

## PUMPS

1.25 Air Power Variable Speed, Pulse & Wave heated Air Pump  
 Quiet Pad Anti-Vibration Mounted Pump

## HEATERS

Warm Back Rest Tubing Zone

## CONTROLS

Air Switch On/Off Control(s) for Chromatherapy  
 Variable Speed Air Massage Control  
 Automatic Purge & Dry Cycle Control

## PURITY

HydroClean Water Purity System  
 HydroCleanse

## STANDARD ACCESSORIES

Grab Bar(s) - 1 on Side Drain baths  
 White, Biscuit, Bone, Brushed Nickel, Polished Chrome  
 Chromatherapy Lighting  
 Deluxe Cushion Pillow  
 FDA Recipe Non-Toxic Food & Beverage Grade  
 Plumbing (primarily)  
 30 Point Quality Assurance Factory Test

## REQUIREMENTS

Pump Locations: **Select access panel model (A) for blower access through the tub surround.**  
**Or select remote air pump model where air pipe will run under the floor to the desired blower location up to 15' away from the bath.**  
 Electrical: one 115v 20AMP GFCI Circuits  
 Grab Bar: Select Color / Finish

**EZ CLEAN CAST ACRYLIC LIMITED LIFETIME WARRANTY**



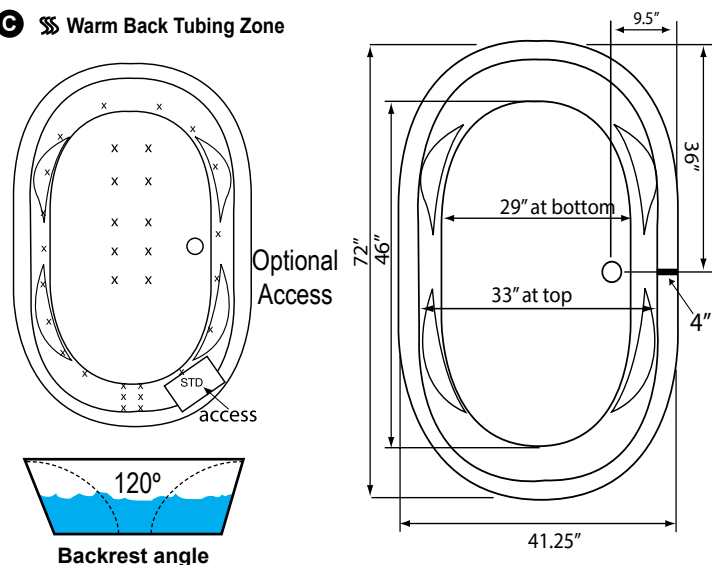
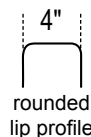
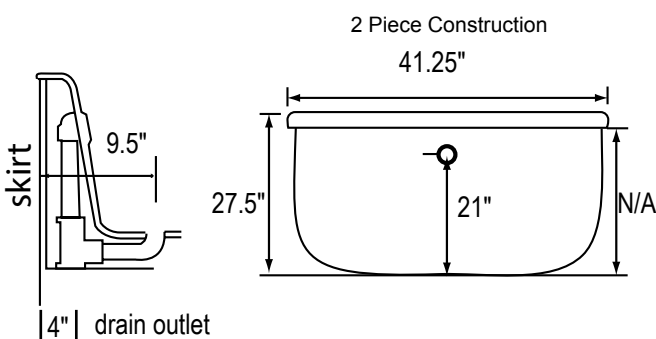
## DRAIN REQUIRED

with integral overflow and Flush Press -  
 Select finish: Brushed Nickel, Oil Rubbed Bronze, Polished Chrome (not included)

## FAUCET

Either Deck Mount or Floor Mount (not included)

- A** **X** **HTT® Leg Therapy Air Massage System** includes 10 Air Jets on the floor. Optional on Combo Plat and Combo Gold Series
- B** **X** **6 Jet HTT® Back Massage System:** N/A on Combo Series-Standard on Plat series
- C** **Warm Back Tubing Zone**



Some standard & most alternate pump locations may stickout past perimeter of the bath 1"-3". **NOTE: Graphics may not be to scale. Specifications and features are subject to change without notice and are ± .25". All final measurements should be taken from tub on site. Access 18"x 18" or larger is required for each pump. Consult your contractor for installation requirements.**