

Rosabella Gold Water Jet 72" x 42" x 27.5"

PRODUCT NUMBER: ROSABELLA-GWJ-K



GOLD WATER JET

TECHNICAL SPECIFICATIONS	
Drain	Side drain - Required - specify finish
Pump Location(s)	Standard
Bath Weight (empty)	225 lbs
Gallons to Operate	77-112
ELECTRICAL SPECIFICATIONS	
Motor/Pump	(1) 115v 20AMP GFCI Circuits
Inline Stainless Steel Heater	(1) 115v 20AMP GFCI Circuit

BATHERS: 2	
INSTALLATION	
	DECK (D)
	UNDER MOUNT (U)
	ALCOVE (A)
•	FREESTANDING (F)
	CLAWFOOT (L)
	PEDESTAL (P)

Jet & Control placement may vary

Space available for deck mounted or floor mounted faucet



JETS

12 Water Massage Jets
 Back Massage System(s) (6 Jets)
 Accumassage Back and Neck Jets ⊕
 6 Ultra Flow Jets ⊕

PUMPS

3.25 Hydropower 3-speed Pump
 Quiet Pad Anti-Vibration Mounted Pump

HEATERS

Stainless Steel Electric Heater

CONTROLS

Air Switch On/Off Control(s) For Hydro Pump & Mood Light
 3 Speed Massage: High, Medium or Low

PURITY

HydroClean Water Purity System
 HydroCleanse

STANDARD ACCESSORIES

Mood Light
 Deluxe Cushion Pillow
 EZ Level Adjustable Legs
 FDA Recipe Non-Toxic Food & Beverage Grade Plumbing (primarily)
 30 Point Quality Assurance Factory Test

REQUIREMENTS

Pump Location: **Standard**

Electrical: two 115v 20AMP GFCI Circuits

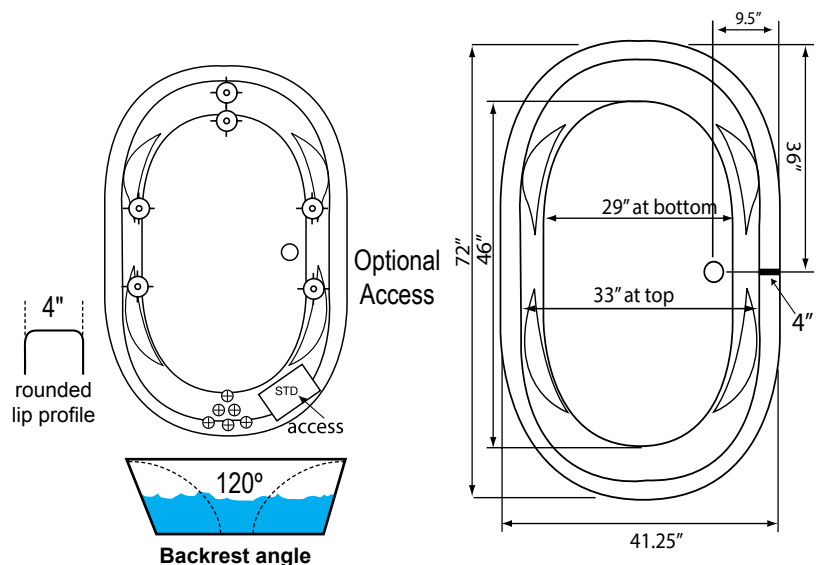
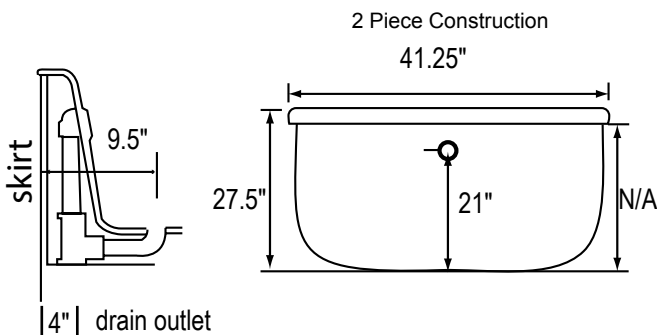
EZ CLEAN CAST ACRYLIC LIMITED LIFETIME WARRANTY c UL US ANSI

DRAIN REQUIRED

with integral overflow and Flush Press -
 Select finish: Brushed Nickel, Oil Rubbed Bronze, Polished Chrome (not included)

FAUCET

Either Deck Mount or Floor Mount (not included)



Some standard & most alternate pump locations may stickout past perimeter of the bath 1"-3". NOTE: Graphics may not be to scale. Specifications and features are subject to change without notice and are ± .25". All final measurements should be taken from tub on site. Access 18"x 18" or larger is required for each pump. Consult your contractor for installation requirements.