

Ovale 6636 Silver Air 66" x 36" x 25"

PRODUCT NUMBER: OVALE-6636-SAIR



SILVER AIR

TECHNICAL SPECIFICATIONS	
Drain	Side drain
Pump Location(s)	Remote blower or access panel Model A
Bath Weight (empty)	165 lbs
Gallons to Operate	66-84
ELECTRICAL SPECIFICATIONS	
Motor/Pump	(1) 115v 20AMP GFCI Circuits

BATHERS: 1	
INSTALLATION	
	DECK (D)
	UNDER MOUNT (U)
	ALCOVE (A)
•	FREESTANDING (F)
	CLAWFOOT (L)
	PEDESTAL (P)

Jet & Control placement may vary

Space available for deck mounted faucet



STANDARD FEATURES & ACCESSORIES for SILVER AIR

JETS

12 Classic Air Jets Sidewall ○

PUMPS

1.0 Air Power 3-Speed Warm Air Pump
Quiet Pad Anti-Vibration Mounted Pump

CONTROLS

Air Switch On/Off Control(s)
Automatic Purge & Dry Cycle Control

PURITY

HydroCleanse

COLORS AVAILABLE

White, Biscuit, Bone and Almond Only

STANDARD ACCESSORIES

FDA Recipe Non-Toxic Food & Beverage Grade
Plumbing (primarily)
30 Point Quality Assurance Factory Test

REQUIREMENTS

Pump Locations: Pump Locations: **Select access panel model (A) for blower access through the tub surround.**

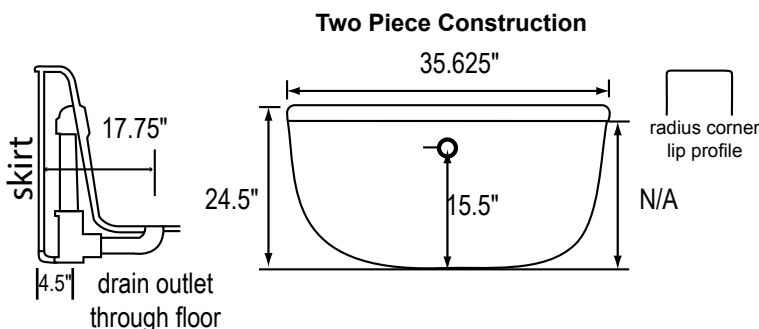
Or select remote air pump model where air pipe will run under the floor to the desired blower location up to 15' away from the bath.

Electrical: one 115v 20AMP GFCI Circuit

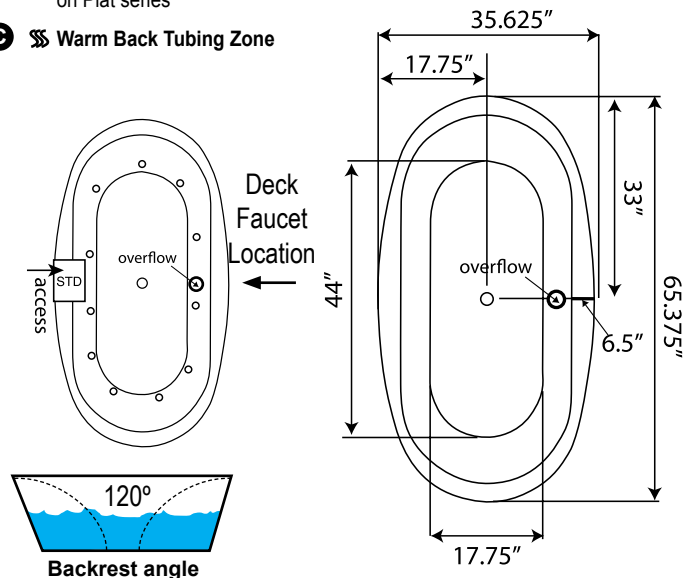
EZ CLEAN CAST ACRYLIC LIMITED LIFETIME WARRANTY c us ANSI

FAUCET

Either Deck Mount or Floor Mount (not included)



- A** X **HTT® Leg Therapy Air Massage System** includes 10 Air Jets on the floor. Optional on Combo Plat and Combo Gold Series
- B** X **6 Jet HTT® Back Massage System:** N/A on Combo Series-Standard on Plat series
- C** **Warm Back Tubing Zone**



Some standard & most alternate pump locations may stickout past perimeter of the bath 1"-3". **NOTE: Graphics may not be to scale. Specifications and features are subject to change without notice and are ± .25". All final measurements should be taken from tub on site. Access 18"x 18" or larger is required for each pump. Consult your contractor for installation requirements.**