

Ovale 6636 Gold Water Jet 66" x 36" x 25"

PRODUCT NUMBER: OVALE-6636-GWJ



GOLD WATER JET

TECHNICAL SPECIFICATIONS	
Drain	Side drain
Pump Location(s)	Std. = Standard
Bath Weight (empty)	165 lbs
Gallons to Operate	66-84
ELECTRICAL SPECIFICATIONS	
Motor/Pump	(1) 115v 15AMP GFCI Circuits
Inline Stainless Steel Heater	(1) 115v 20AMP GFCI Circuit

BATHERS: 1	
INSTALLATION	
	DECK (D)
	UNDER MOUNT (U)
	ALCOVE (A)
•	FREESTANDING (F)
	CLAWFOOT (L)
	PEDESTAL (P)

Jet & Control placement may vary

Space available for deck mounted faucet



STANDARD FEATURES & ACCESSORIES GOLD WATER JET

JETS

10 Water Massage Jets
 Back Massage System(s) (6 Jets)
 Accumassage Back and Neck Jets ⊕
 4 Ultra Flow Jets ⊖

PUMPS

2.0 Hydropower 3-speed Pump
 Quiet Pad Anti-Vibration Mounted Pump

HEATERS

Stainless Steel Electric Heater

CONTROLS

Air Switch On/Off Control(s) For Hydro Pump & Mood Light
 3 Speed Massage: High, Medium or Low

PURITY

HydroClean Water Purity System
 HydroCleanse

COLORS AVAILABLE

White, Biscuit, Bone and Almond Only

STANDARD ACCESSORIES

Mood Light
 Lift & Turn Drain - White, Biscuit, Bone, Brushed Nickel,
 Oil Rubbed Bronze, Polished Chrome
 Deluxe Cushion Pillow
 EZ Level Adjustable Legs
 FDA Recipe Non-Toxic Food & Beverage Grade
 Plumbing (primarily)
 30 Point Quality Assurance Factory Test

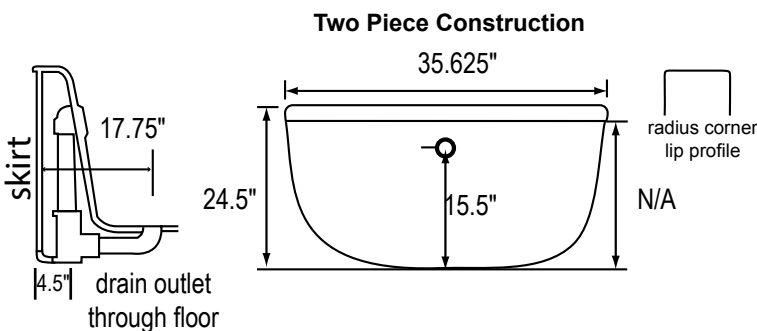
REQUIREMENTS

Pump Locations: Standard
 Electrical: two 115v 15AMP GFCI Circuits
 Drain: Select Color / Finish

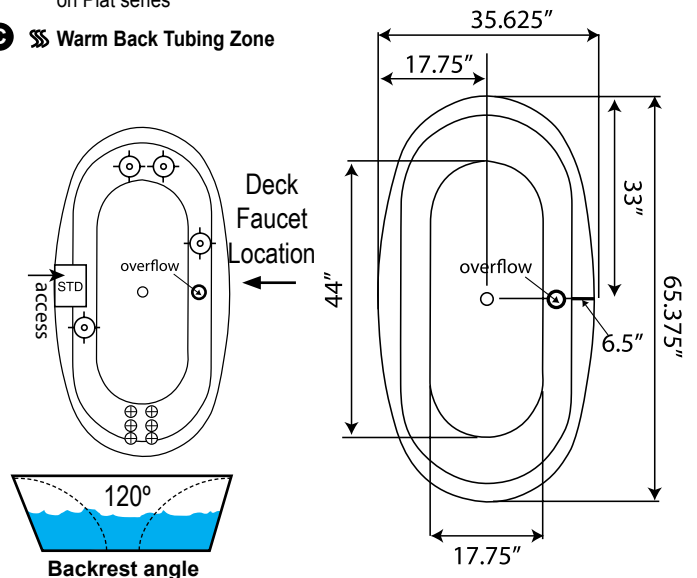
EZ CLEAN CAST ACRYLIC LIMITED LIFETIME WARRANTY **US ANSI**

FAUCET

Either Deck Mount or Floor Mount (not included)



- A** X HTT® Leg Therapy Air Massage System includes 10 Air Jets on the floor. Optional on Combo Plat and Combo Gold Series
- B** X 6 Jet HTT® Back Massage System: N/A on Combo Series-Standard on Plat series
- C** Warm Back Tubing Zone



Some standard & most alternate pump locations may stickout past perimeter of the bath 1"-3". NOTE: Graphics may not be to scale. Specifications and features are subject to change without notice and are ± .25". All final measurements should be taken from tub on site. Access 18"x 18" or larger is required for each pump. Consult your contractor for installation requirements.