

Mystique 6 SKTF Platinum Air 72" x 32" x 22"

SKU: MYSTIQUE6SKTF-PAIR



Platinum Air

| TECHNICAL SPECIFICATIONS | |
|------------------------------|--------------------------------------|
| Drain | End drain |
| Pump Location(s): Select 2 | Std. = Standard / Alt LF/RH Optional |
| Bath Weight (empty) | 175 lbs |
| Gallons to Operate | 48-67 |
| ELECTRICAL SPECIFICATIONS | |
| Motor/Pump | (1) 115v 20AMP GFCI Circuits |
| Whisper Flo Heat Pump System | 2) 115v 20AMP GFCI Circuit |

| BATHERS: 1 | |
|--------------|------------------|
| INSTALLATION | |
| | DECK (D) |
| | UNDER MOUNT (U) |
| • | ALCOVE (A) |
| | FREESTANDING (F) |
| | CLAWFOOT (L) |
| | PEDESTAL (P) |



STANDARD FEATURES & ACCESSORIES for PLATINUM AIR

JETS

- 34 EZ Clean Air Jets
- HTT Leg Therapy Air Massage Jets **X**
- HTT Back Therapy Air Massage Jets **X**

PUMPS

- 1.25 Air Power Variable Speed, Pulse & Wave heated Air Pump
- Quiet Pad Anti-Vibration Mounted Pump
- Whisper Flo Heat Pump System with Control & Ecobond Foam Insulation (must select Pump Locations)

HEATERS

- Stainless Steel Electric Heater
- Warm Back Rest Tubing Zone

CONTROLS

- Air Switch On/Off Control(s) for Chromatherapy & Whisper Flo Heat Pump
- Variable Speed Air Massage Control
- Automatic Purge & Dry Cycle Control

PURITY

- HydroClean Water Purity System
- HydroCleanse

STANDARD ACCESSORIES

- Grab Bar(s) - 2 on End Drain baths - White, Biscuit, Brushed Nickel, Polished Chrome
- Chromatherapy Lighting
- Deluxe Cable Drain - White, Biscuit, Bone, Brushed Nickel, Oil Rubbed Bronze, Polished Chrome,
- Deluxe Cushion Pillow
- Integral Tile Flange
- EZ Level Base
- FDA Recipe Non-Toxic Food & Beverage Grade Plumbing (primarily)
- 30 Point Quality Assurance Factory Test

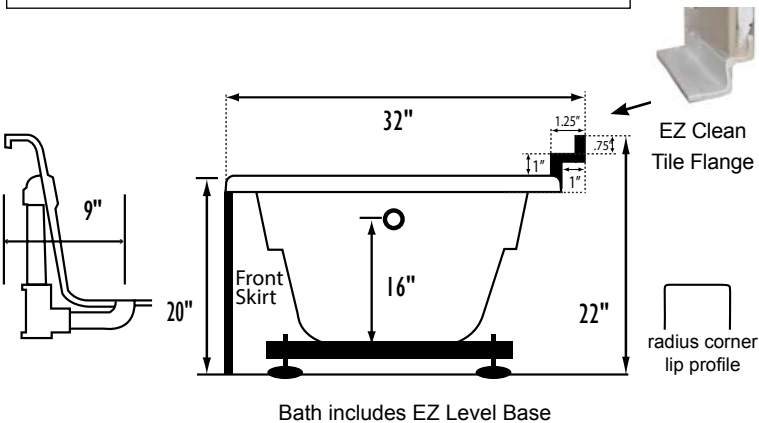
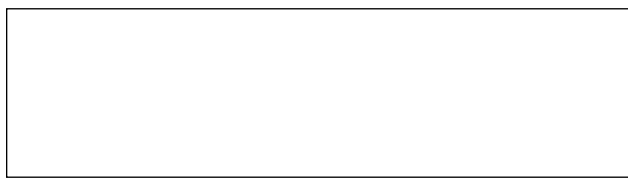
REQUIREMENTS

- Pump Locations: Select 2
- Electrical: Three 115v 20amp GFCI Circuits
- Drain and Grab Bars: Select Color / Finish
- Tub should not be supported by the lip in any way. Level tub & screw or glue EZ Level adjustable legs to sub floor.**

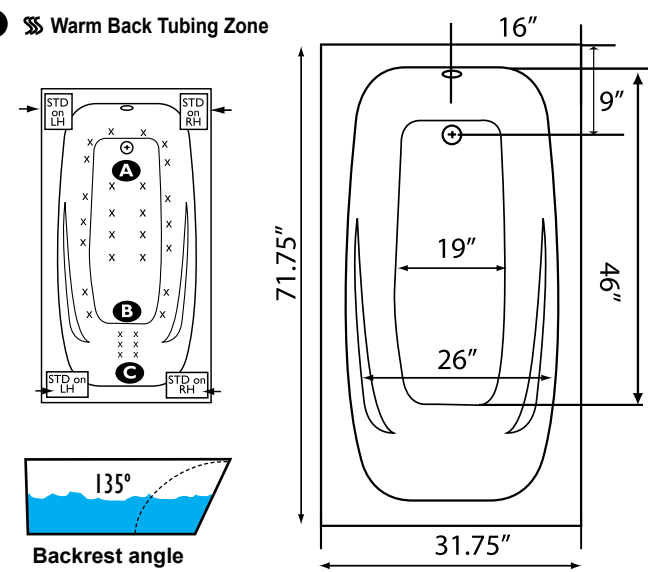
CUT OUT DIMENSIONS:

- OVALS:** A template will be provided
- RECTANGLES:** Subtract 1" to 1.5" from length & width for hole cut out size

EZ CLEAN CAST ACRYLIC LIMITED LIFETIME WARRANTY **US ANSI**



- A** **X** HTT® Leg Therapy Air Massage System includes 10 Air Jets on the floor. Optional on Combo Plat and Combo Gold Series
- B** **X** 6 Jet HTT® Back Massage System: N/A on Combo Series-Standard on Plat series
- C** **§** Warm Back Tubing Zone



NOTE: Graphics may not be to scale. Specifications and features are subject to change without notice and are ± .25". All final measurements should be taken from **tub on site**. Access 18"x 18" or larger is required for each pump. Some pump locations and plumbing may extend beyond the perimeter of the bath.