

# Heavenly Gold Water Jet 72" x 36" x 20"

SKU: HEAVENLY-GWJ



| TECHNICAL SPECIFICATIONS      |                                      |
|-------------------------------|--------------------------------------|
| Drain                         | Side drain                           |
| Pump Location(s): Select 1    | Std. = Standard / Alt LF/RF Optional |
| Bath Weight (empty)           | 165 lbs                              |
| Gallons to Operate            | 43-68                                |
| ELECTRICAL SPECIFICATIONS     |                                      |
| Motor/Pump                    | (1) 115v 20AMP GFCI Circuits         |
| Inline Stainless Steel Heater | (1) 115v 20AMP GFCI Circuit          |

| BATHERS: 2   |                  |
|--------------|------------------|
| INSTALLATION |                  |
| •            | DECK (D)         |
|              | UNDER MOUNT (U)  |
|              | ALCOVE (A)       |
|              | FREESTANDING (F) |
|              | CLAWFOOT (L)     |
|              | PEDESTAL (P)     |

## Gold Water Jet

Jet & Control placement may vary



### STANDARD FEATURES & ACCESSORIES for Gold Water Jet

#### JETS

12 Water Massage Jets  
 Back Massage System(s) (6 Jets)  
 Accumassage Back and Neck Jets ⊕  
 6 Ultra Flow Jets ⊖

#### PUMPS

3.25 Hydropower 3-speed Pump  
 Quiet Pad Anti-Vibration Mounted Pump

#### HEATERS

Stainless Steel Electric Heater

#### CONTROLS

Air Switch On/Off Control(s) For Hydro Pump & Mood Light  
 3 Speed Massage: High, Medium or Low

#### PURITY

HydroClean Water Purity System\  
 HydroCleanse

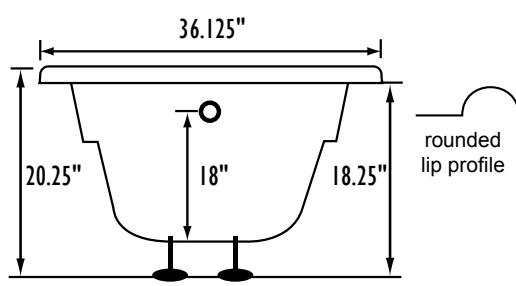
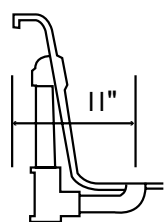
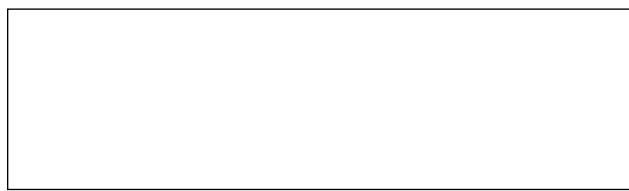
### STANDARD ACCESSORIES

Mood Light  
 Lift & Turn Drain - White, Biscuit, Bone, Brushed Nickel,  
 Oil Rubbed Bronze, Polished Chrome  
 Deluxe Cushion Pillow  
 EZ Level Adjustable Legs  
 FDA Recipe Non-Toxic Food & Beverage Grade  
 Plumbing (primarily)  
 30 Point Quality Assurance Factory Test

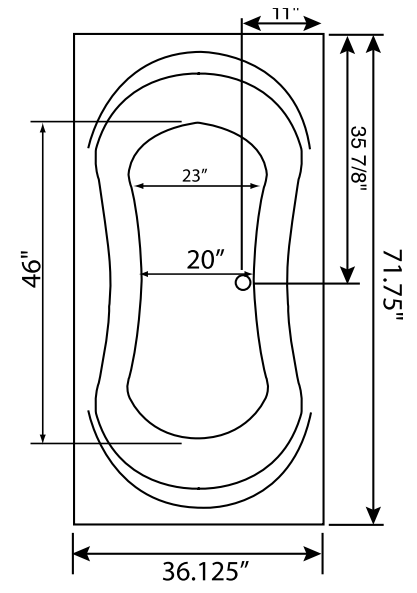
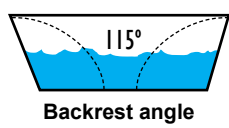
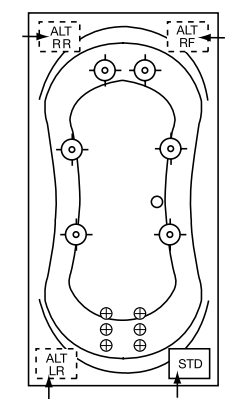
### REQUIREMENTS

Pump Locations: Select 1  
 Electrical: two 115v 20AMP GFCI Circuits  
 Drain: Select Color / Finish  
**Tub should not be supported by the lip in any way.**  
**Level tub & screw or glue EZ Level adjustable legs to sub floor.**  
**CUT OUT DIMENSIONS:**  
**OVALS:** A template will be provided  
**RECTANGLES:** Subtract 1" to 1.5" from length & width for hole cut out size

**EZ CLEAN CAST ACRYLIC LIMITED LIFETIME WARRANTY** **us ANSI**



Bath includes EZ Level Legs  
**INSTALLATION WILL NOT REQUIRE MORTAR BEDDING**



**NOTE:** Graphics may not be to scale. Specifications and features are subject to change without notice and are ± .25". All final measurements should be taken from **tub on site**. Access 18"x 18" or larger is required for each pump. Some pump locations and plumbing may extend beyond the perimeter of the bath.