

# Reward 6636 SD FS 66" x 36" x 24"

PRODUCT NUMBER: REWARD-6636SDFS-SOAKER



Soaker

TECHNICAL SPECIFICATIONS	
Drain	Side drain
Pump Location(s): N/A	Std. = Standard / Alt LF/RF Optional
Bath Weight (empty)	165 lbs
Gallons to Operate	53-78
ELECTRICAL SPECIFICATIONS	
Motor/Pump	N/A
Inline Stainless Steel Heater	N/A

BATHERS: 2	
INSTALLATION	
	DECK (D)
	UNDER MOUNT (U)
	ALCOVE (A)
•	FREESTANDING (F)
	CLAWFOOT (L)
	PEDESTAL (P)



## STANDARD FEATURES & ACCESSORIES for SOAKER

### STANDARD ACCESSORIES

EZ level Adjustable Legs

### REQUIREMENTS

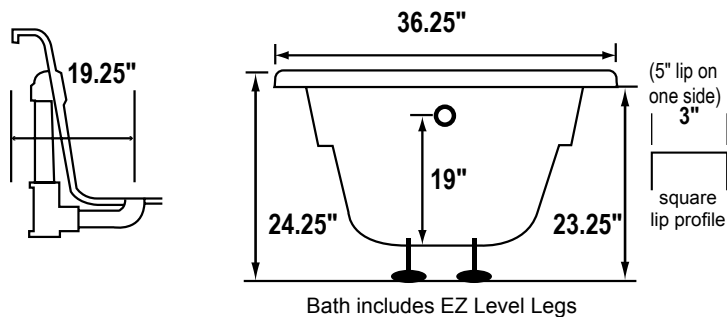
Tub should not be supported by the lip in any way. Level tub & screw or glue EZ Level adjustable legs to sub floor.

#### CUT OUT DIMENSIONS:

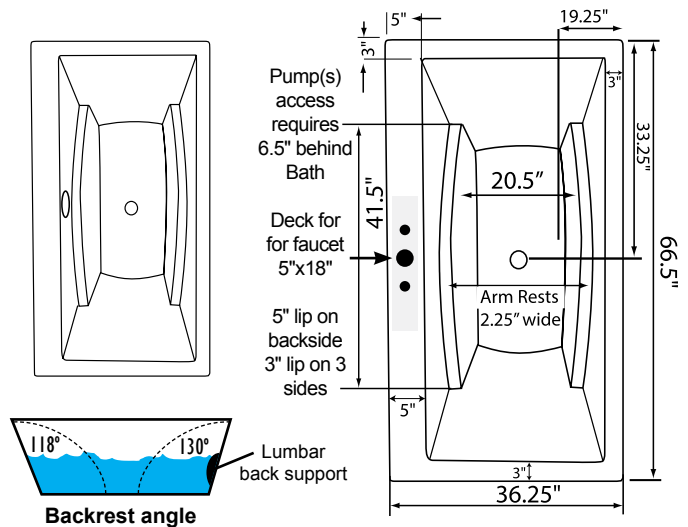
**OVALS:** A template will be provided

**RECTANGLES:** Subtract 1" to 1.5" from length & width for hole cut out size

**EZ CLEAN CAST ACRYLIC LIMITED LIFETIME WARRANTY** c UL US ANSI



**INSTALLATION WILL NOT REQUIRE MORTAR BEDDING**



**NOTE: Graphics may not be to scale. Specifications and features are subject to change without notice and are ± .25". All final measurements should be taken from tub on site. Access 12"x36" is provided on whirlpool systems baths. Consult your contractor for installation requirements.**