

Reward 6636 SD FS 66" x 36" x 24"

PRODUCT NUMBER: REWARD-6636SDFS-PWJ



Platinum Water Jet

TECHNICAL SPECIFICATIONS	
Drain	Side drain
Pump Location(s): Select 2	Std. = Standard / Alt LF/RF Optional
Bath Weight (empty)	165 lbs
Gallons to Operate	53-78
ELECTRICAL SPECIFICATIONS	
Motor/Pump	(2) 115v 20AMP GFCI Circuits
Inline Stainless Steel Heater	(1) 115v 20AMP GFCI Circuit

BATHERS: 2	
INSTALLATION	
	DECK (D)
	UNDER MOUNT (U)
	ALCOVE (A)
•	FREESTANDING (F)
	CLAWFOOT (L)
	PEDESTAL (P)

Jet & Control placement may vary



STANDARD FEATURES & ACCESSORIES for PLATINUM WATER JET

JETS

- 17 Water Jets
- Back Massage System(s) (7 Jets)
- Sole Soother Foot Spa (8 Jets)
- Accumassage Back, Neck ⊕
- Ultra Flow Jets ⊕



PUMPS

- Two 2.0 Hydropower 3-speed Pumps (Side Drain Baths)
- Quiet Pad Anti-Vibration Mounted Pump

HEATERS

- Stainless Steel Electric Heater

CONTROLS

- Air Switch On/Off Control(s) For Chromatherapy Lighting
- Air Switch On/Off with digital Temperature Readout Control
- 3 Speed Massage: High, Medium or Low

PURITY

- HydroClean Water Purity System
- HydroCleanse

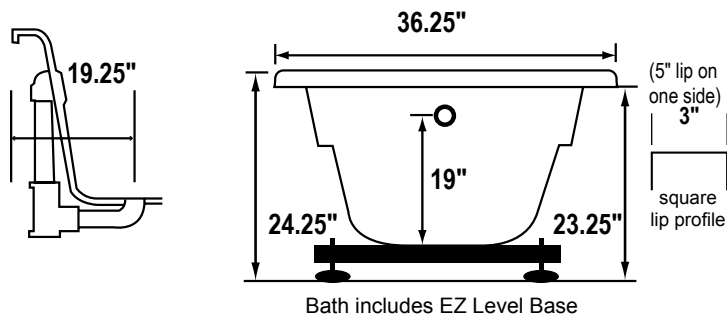
STANDARD ACCESSORIES

- Grab Bar(s) - 1 on Side Drain baths
 - White, Biscuit, Bone, Brushed Nickel, Polished Chrome
- Chromatherapy Lighting
- Deluxe Cable Drain - White, Biscuit, Bone, Brushed Nickel, Oil Rubbed Bronze, Polished Chrome
- 2 Deluxe Cushion Pillow on two person baths
- FDA Recipe Non-Toxic Food & Beverage Grade Plumbing (primarily)
- 30 Point Quality Assurance Factory Test

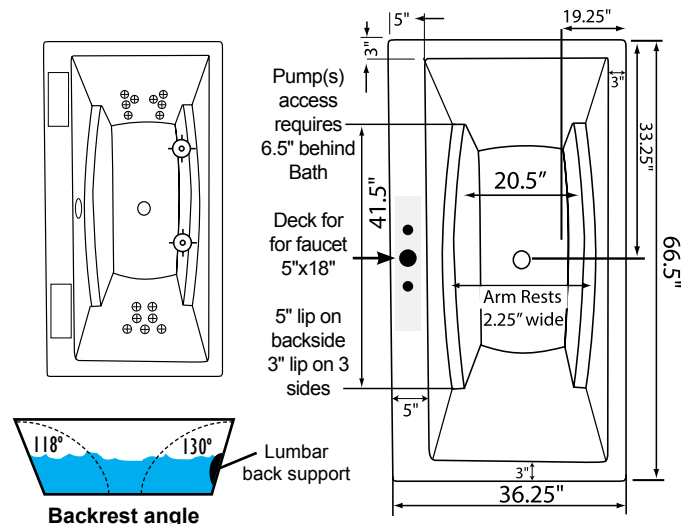
REQUIREMENTS

- Pump Locations: Select 2
- Electrical: three 115v 20AMP GFCI Circuits
- Drain and Grab Bars: Select Color / Finish
- Tub should not be supported by the lip in any way.**
- Level tub & screw or glue EZ Level adjustable legs to sub floor.**
- CUT OUT DIMENSIONS:**
 - OVALS:** A template will be provided
 - RECTANGLES:** Subtract 1" to 1.5" from length & width for hole cut out size

EZ CLEAN CAST ACRYLIC LIMITED LIFETIME WARRANTY **us ANSI**



INSTALLATION WILL NOT REQUIRE MORTAR BEDDING



NOTE: Graphics may not be to scale. Specifications and features are subject to change without notice and are ± .25". All final measurements should be taken from tub on site. Access 12"x36" is provided on whirlpool systems baths. Consult your contractor for installation requirements.