

# Reward 6636 SD FS 66" x 36" x 24" PRODUCT

NUMBER: REWARD-6636SDFS-GCB



Gold Combination

TECHNICAL SPECIFICATIONS	
Drain	Side drain
Pump Location(s): Select 2	Std. = Standard / Alt LF/RF Optional
Bath Weight (empty)	165 lbs
Gallons to Operate	53-78
ELECTRICAL SPECIFICATIONS	
Motor/Pump	(2) 115v 20AMP GFCI Circuits
Inline Stainless Steel Heater	(1) 115v 20AMP GFCI Circuit

BATHERS: 2	
INSTALLATION	
	DECK (D)
	UNDER MOUNT (U)
	ALCOVE (A)
•	FREESTANDING (F)
	CLAWFOOT (L)
	PEDESTAL (P)



Jet & Control placement may vary

## STANDARD FEATURES & ACCESSORIES for GOLD COMBINATION

### JETS

- 34 Air & Water Massage Jets
- Back Massage System(s) (6 Jets)
- Sole Soother Foot Spa (8 Jets)
- Accumassage Back & Neck Jets ⊕
- Ultra Flow Jets ⊖
- Classic Air Jets ○



### PUMPS

- 1- 3.25 Hydropower 3-speed Pump
- 1.25 Air Power Variable Speed, Pulse & Wave heated Air Pump
- Quiet Pad Anti-Vibration Mounted Pump

### HEATERS

- Stainless Steel Electric Heater
- Warm Back Rest Tubing Zone

### CONTROLS

- Air Switch On/Off Control(s) For Hydro Pump & Chromatherapy Lighting
- Electronic Variable Speed Air Massage Control
- Automatic Purge & Dry Cycle Control
- 3 Speed Massage: High, Medium or Low

### PURITY

- HydroClean Water Purity System
- HydroCleanse

### STANDARD ACCESSORIES

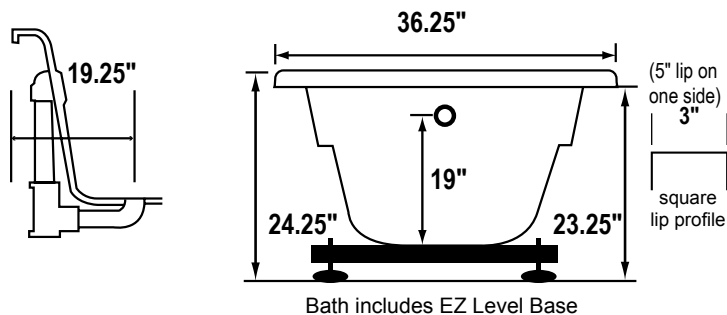
- Grab Bar(s) - 1 on Side Drain Baths - White, Biscuit, Bone, Brushed Nickel, Polished Chrome
- Chromatherapy Lighting
- Deluxe Cable Drain - White, Biscuit, Bone, Brushed Nickel, Oil Rubbed Bronze, Polished Chrome
- Deluxe Cushion Pillow
- EZ Level Base
- FDA Recipe Non-Toxic Food & Beverage Grade Plumbing (primarily)
- 30 Point Quality Assurance Factory Test

### REQUIREMENTS

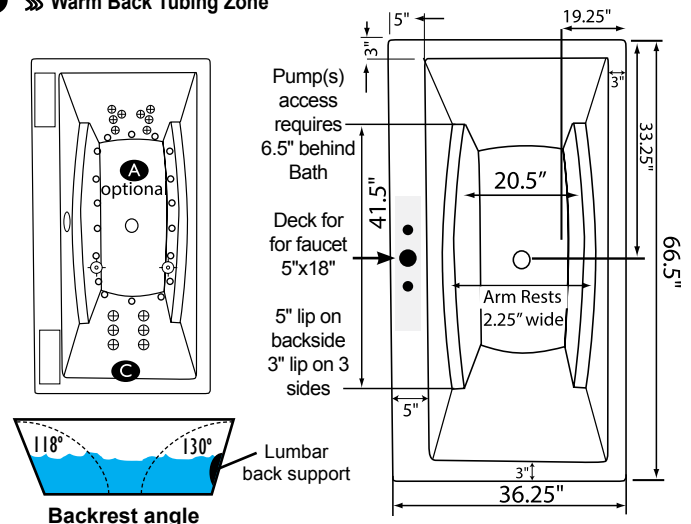
- Pump Locations: Select 2
- Electrical: three 115v 20AMP GFCI Circuits
- Drain and Grab Bars: Select Color / Finish
- Tub should not be supported by the lip in any way.**
- Level tub & screw or glue EZ Level adjustable legs to sub floor.**
- CUT OUT DIMENSIONS:**
  - OVALS:** A template will be provided
  - RECTANGLES:** Subtract 1" to 1.5" from length & width for hole cut out size

EZ CLEAN CAST ACRYLIC LIMITED LIFETIME WARRANTY US ANSI

- A** X **HTT® Leg Therapy Air Massage System** includes 10 Air Jets on the floor. Optional on Combo Plat and Combo Gold Series
- B** X **6 Jet HTT® Back Massage System:** N/A on Combo Series-Standard on Plat series
- C** **Warm Back Tubing Zone**



**INSTALLATION WILL NOT REQUIRE MORTAR BEDDING**



**NOTE: Graphics may not be to scale. Specifications and features are subject to change without notice and are ± .25\"/>**