

Ovale 6636 Silver Combination 66" x 36" x 25"

PRODUCT NUMBER: OVALE-6636-SCB



SILVER COMBINATION

TECHNICAL SPECIFICATIONS	
Drain	Side drain
Pump Location(s)	Std. = Standard
Bath Weight (empty)	165 lbs
Gallons to Operate	66-84
ELECTRICAL SPECIFICATIONS	
Motor/Pump	(1) 115v 20AMP GFCI Circuits
Inline Stainless Steel Heater	(Opt.) 115v 20AMP GFCI Circuit

BATHERS: 1	
INSTALLATION	
	DECK (D)
	UNDER MOUNT (U)
	ALCOVE (A)
•	FREESTANDING (F)
	CLAWFOOT (L)
	PEDESTAL (P)

Jet & Control placement may vary

Space available for deck mounted faucet



STANDARD FEATURES & ACCESSORIES for SILVER COMBINATION

JETS

18 Air & Water Massage Jets

Micro Flow Jets

Classic Air Jets

PUMPS

1.25 Hydropower 1-speed Pump

1.0 Air Power 3-Speed Warm Air Pump

Quiet Pad Anti-Vibration Mounted Pump

CONTROLS

Air Switch On/Off Control(s)

Automatic Purge & Dry Cycle Control

PURITY

HydroClean Water Purity System

HydroCleanse

COLORS AVAILABLE

White, Biscuit, Bone and Almond Only

STANDARD ACCESSORIES

Mood Light

Lift & Turn Drain - White, Biscuit, Bone, Brushed Nickel,

Oil Rubbed Bronze, Polished Chrome

Deluxe Cushion Pillow

FDA Recipe Non-Toxic Food & Beverage Grade

Plumbing (primarily)

30 Point Quality Assurance Factory Test

REQUIREMENTS

Pump Locations: Standard

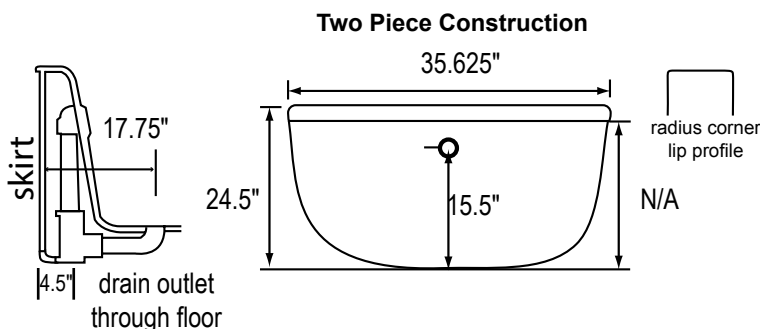
Electrical: One 115v 20AMP GFCI Circuits

EZ CLEAN CAST ACRYLIC LIMITED LIFETIME WARRANTY

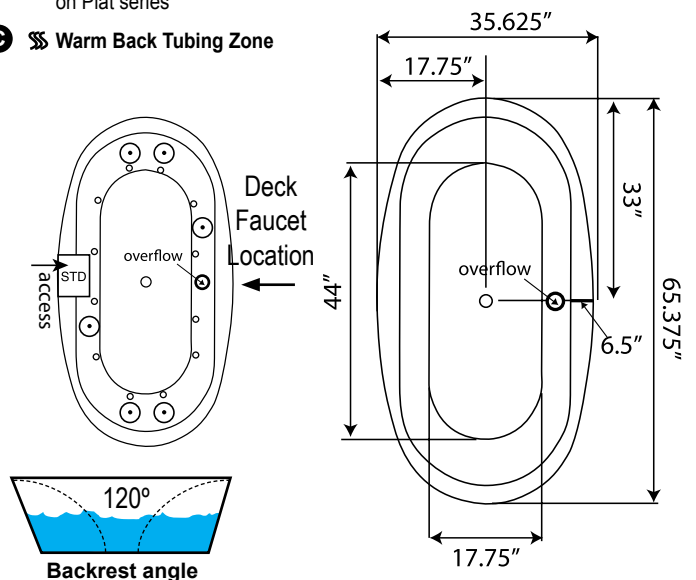


FAUCET

Either Deck Mount or Floor Mount (not included)



- A** X HTT® Leg Therapy Air Massage System includes 10 Air Jets on the floor. Optional on Combo Plat and Combo Gold Series
- B** X 6 Jet HTT® Back Massage System: N/A on Combo Series-Standard on Plat series
- C** ☞ Warm Back Tubing Zone



Some standard & most alternate pump locations may stickout past perimeter of the bath 1"-3". NOTE: Graphics may not be to scale. Specifications and features are subject to change without notice and are ± .25". All final measurements should be taken from tub on site. Access 18"x 18" or larger is required for each pump. Consult your contractor for installation requirements.